

Features

- Universal input 100~240V AC
- Operating Temperature Range: 0~40°
- Lugged Desktop Power Supply (PSU)
- Approved to UKCA, CE, cULus, TUV, RCM (C-Tick), RoHS & REACH
- Safety standards to IEC/EN/UL 62368-1
- EMC EN61000-3-2, EN55032 Class B
- Single Output 9~24V DC
- OVP, OCP, OTP & Short Circuit



Ideal Power's 23SW-xyz-S10 18W AC/DC Lugged External Desktop Power Supply (PSU) Series are certified to UKCA, CE, TUV, RCM (C-Tick), RoHS, REACH & UL/IEC/EN 62368-1 Standards and comply with Efficiency Regulations. These are primarily used in ITE, Audio & Video Industries and customised solutions are available upon request.

Models

Model Number	Output Voltage	Output Current	Output Power
23SW-00090200-S10	9V DC	2A	18W
23SW-00120100-S10	12V DC	1A	18W
23SW-00120150-S10	12V DC	1.5A	18W
23SW-00150120-S10	15V DC	1.2A	18W
23SW-00180100-S10	18V DC	1A	18W
23SW-00240075-S10	24V DC	0.75A	18W

Input Specifications

	Min	Typ	Max	Unit	Notes
Input voltage	90		264	V AC	100-240VAC +/- 10%
Input frequency	47		63	Hz	50-60Hz +/- 5%
Input current			0.5	A	At full load
Input inrush current			50	A	At cold start, 100/ 240V AC
Leakage current			0.25	mA	

Output Specifications

	Min	Typ	Max	Unit	Notes
Output voltage accuracy		5		%	
Ripple & Noise		120		mV	
Over current protection					OCP Limits to 120~150& Auto Start. PSU will auto recover after OC.
Short circuit protection					Continuous SCP. Will recover if fault condition is removed
Over voltage protection					Will recover if fault condition is removed

Environmental Data

	Min	Typ	Max	Unit	Notes
Operating temperature	0		+40	°C	
Storage temperature	-40		+85	°C	
Relative humidity	5		95	%	Operating 10% to 90%
Storage humidity	10		90	%	Storage 5% to 95%

Other Information

	Min	Typ	Max	Unit	Notes
MTBF		50,000		hrs	At 25°C, Full load and nominal
Weight					200 +/-10g Depending on model
Dimensions					Refer to mechanical drawings

EMC Emissions (2014/30/EU)

	Standard	Test Level	Criteria	Notes
Conducted	EN55032	Class B		EMC Directive 2014/30/EU
Radiated	EN55032	Class B		
Harmonic	EN61000-3-2	Class D		P.F. shall >0.95 @100Vac input and >0.9 @240Vac input

EMC Immunity (2014/30/EU)

	Standard	Test Level	Criteria	Notes
EMS	EN55032			
EMS	EN61204-3			
ESD	IEC61000-4-2			
RS	IEC61000-4-3			
EFT	IEC61000-4-4			
Surge	IEC61000-4-5			

Safety Approvals

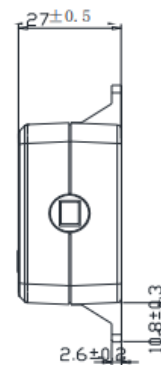
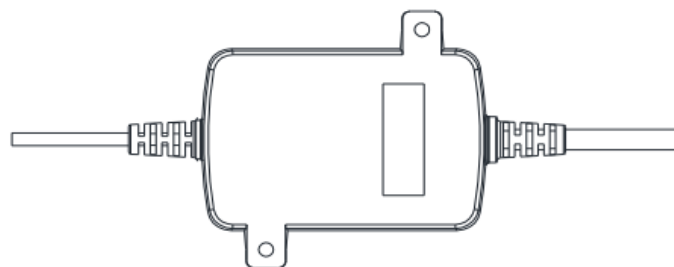
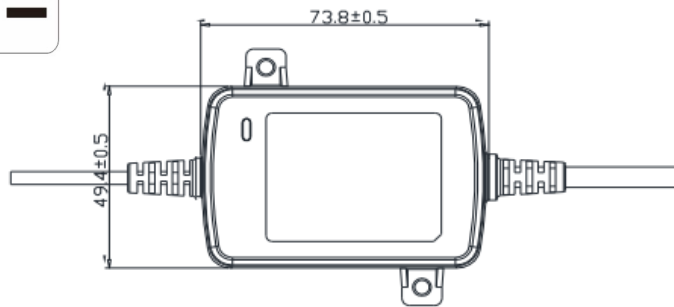
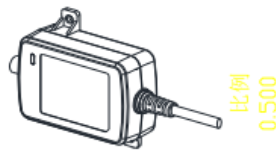
Safety Standards	
RoHS/REACH	RoHS Directive (EU) 2015/863 & REACH (209 SVHC)
CE LVD Directive 2014/35/EU	62368-1
FCC	Yes
cURus	Yes (US)
TUV	Yes
RCM & C-Tick	Yes

Mechanical Drawing

iP AC/DC ADAPTER
IDEALPOWER

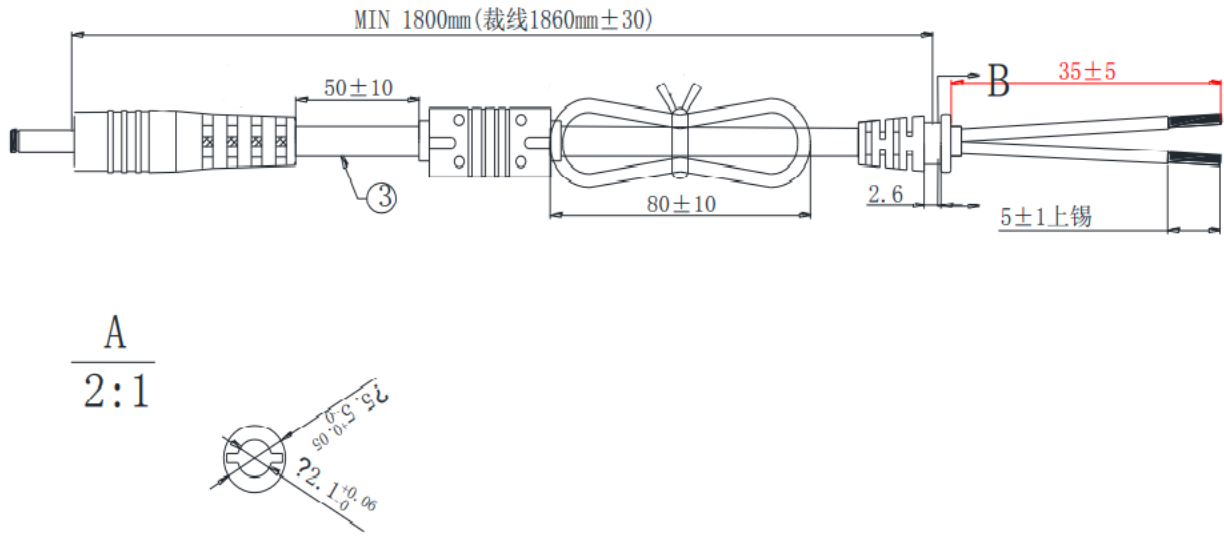
MODEL: SW-00150120-S10
 INPUT: 100-240V~50/60Hz 0.5A
 OUTPUT: 15V \equiv 1.2A

MADE IN CHINA



AC - DC

Cord Drawing



Plug Drawing

